

SVS SATELLITE SYSTEMS

SPF 180 C-KU BAND ANTENNA

- Robust
- High Performance
- Powerfull
- 180 cm Offset Reflector
- Efficient
- Easy to mount
- Designed for Ku, C, band uplink



SVS SPF180-Ku 1.8 METER is a high performance, powerful and efficient Motorised SNG Antenna System.

SPF180-Ku is designed for Ku-Band uplink operations as part of a dedicated integrated uplink vehicles.

It has been also designed for heavy duty conditions as a reliable system which was proved in field for many years in operation.

SPF180-Ku is an easy to mount antenna system on the roof of the vehicle thanks to its compact design.

Once you fix the antenna you can use the system for many years without any problem.

SPF180-Ku is also easy for removing and re-installation onto new vehicles.

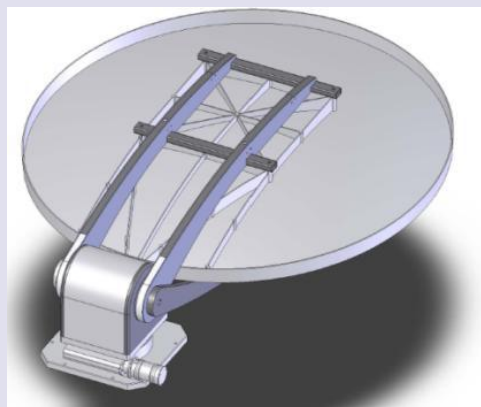
ANTENNA CONTROL CAPABILITIES

Level 1 : Simple version to control azimuth, elevation, polarization movement, automatic stow and deploy to preset position.

Level 2 : Automatic antenna pointing to selected satellite by using GPS and fluxgate compass.

Level 3 : Tracking of an inclined orbit satellite

Azimuth Motor	:	36V PWM Control (5A Max)
Elevation Motor	:	36V PWM Control (5A Max)
Polarization Motor	:	24V PWM Control (0.3A Max)
Azimuth Sensor	:	Proximity
Polarization Sensor:		Potentiometer



Mechanical Limit Switches : Provide limitation for the movement in three axis, stow position and status control by eight limit switches

Applicable Options : Housing, De-icing Unit, 2 port reception

SVS SATELLITE SYSTEMS

SPF 180 C-KU BAND ANTENNA

RF SPECIFICATIONS

	Transmit	Recive
Frequency Band	13.75-14.5 GHz	10.95-12.75 GHz
Polarization	Linear Orthogonal	
Antenna Gain	47 dBi@14.3 GHZ	45.5 dBi @ 12 GHZ
Antenna Noise Temperature	-	48°K el; 10°
3 dB Beamwidth	0.8° @ 14.3 GHz	1.0° @ 12.0 GHz
Antenna Cross Polarization Isolation	32 dB ; 37 dB in .5 dB Contour	
Copolar Sidelobe Envelope	2.5° <θ < 7° 29-25log θ	-
	7° <θ < 9.2 8 dBi	-
	9.2° < θ < 48° 32-25log θ	-
	48° <θ < 180° -10dBi	-
VSWR	1:3:1	1:5:1
Feed Interface	WR-75	WR-75
Isolation	80 dB	40 dB
Insertion Loss	0.2 dB	0.3 dB

MECHANICAL SPECIFICATIONS

Antenna Geometry	Offset Gregorian (Dual Optics)
Ports	2 (optionally 3)
Elevation Range	10°-90°
Azimuth Range	±180
Polarization Range	±120°
Weight	150 Kg
Reflector Material	Glass Fiber Reinforced Polyester

Speed

	Minimum	Maximum
Elevation	0.2 °/sec	4 °/sec
Azimuth	0.2 °/sec	4 °/sec
Polarization	0.2 °/sec	8 °/sec

ENVIRONMENTAL SPECIFICATION

	Operational	Survival
Wind Load	60km/h	120 km/h(stowed)
Ambient Temperature	-30°C to.+ 60°C	-50°C to 80°C
Humidity	%0 - %100	%0 - %100





Esenkent Mah. Baraj Yolu Cad. Emirgan Sok. No: 3
34776 UMRANIYE-ISTANBUL-TURKEY

Tel: +90 216 329 56 00 Fax: +90 216 329 02 99

www.svstelekom.com.tr sales@svstelekom.com.tr



Esenkent Mah. Baraj Yolu Cad. Emirgan Sok. No: 3
34776 UMRANIYE-ISTANBUL-TURKEY

Tel: +90 216 329 56 00 Fax: +90 216 329 02 99

www.svstelekom.com.tr sales@svstelekom.com.tr



Esenkent Mah. Baraj Yolu Cad. Emirgan Sok. No: 3
34776 UMRANIYE-ISTANBUL-TURKEY
Tel: +90 216 329 56 00 Fax: +90 216 329 02 99
www.svstelekom.com.tr sales@svstelekom.com.tr