

SVS SATELLITE SYSTEMS

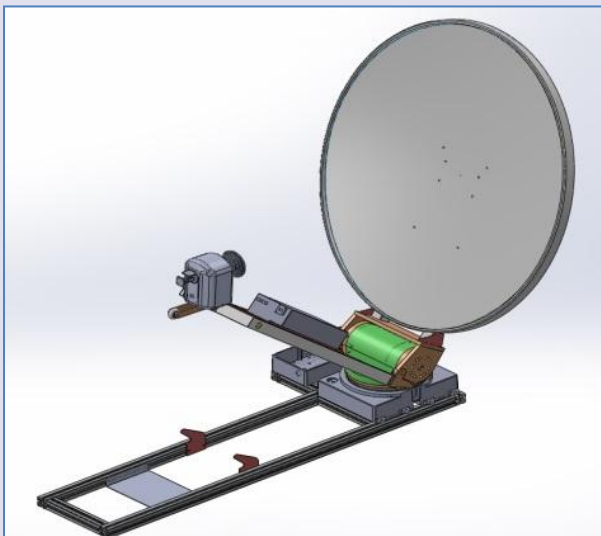
SCL120 MOTORIZED ANTENNA

- New Universal Mechanical Design
- High RF Performance
- Supports up to 200W Amplifier
- Easy Integration for Amplifiers
- Strong and Gapless Gear Structure
- Outdoor Antenna Controller with Remote Control
- Designed for Ku Band VSAT Applications
- Auto Pointing with 3 Axis Movement
- Control via Tablet, Smart Phone or PC
- Standart GPS-Compass on Antenna
- Easy Installation



SCL120 Drive-Away antenna system is a easily configured, simple to operate auto-deploy VSAT terminal which can be mounted on the roof of a vehicle. It is suitable for the most demanding applications. Ideally suited for applications that require a quick, simple set-up typically for industries such as SNG, Disaster Management, Oil & Gas Exploration, Mining, Construction, Mobile Offices and Emergency Services.

ANTENNA OPTIONS



- DE-ICING OPTION UP TO 2500 W
- HALF HOUSING OPTION
- 3 PORT FEED OPTION
- W/G CROSSOVER KIT UNTIL FEED ARM
- W/G CROSSOVER KIT UNTIL ANTENNA POD
- 7/24 REMOTE SUPPORT SERVICE OPTION
- ON SITE PREVENTATIVE MAINTENANCE SERVICE OPTION
- ON SITE COMMISSIONING SERVICE OPTION
- SINGLE OR REDUNDANT AMPLIFIER INTEGRATION OPTION

SVS SATELLITE SYSTEMS

SCL120 DIAMOND MOTORIZED SNG ANTENNA

RF SPECIFICATIONS

		Transmit	Recive
Frequency Band		13.75-14.5 GHz	10.70-12.75 GHz
Polarization		Linear Orthogonal	Linear Orthogonal
Antenna Gain(± 2 dBi)		43.3 dBi @ 14.3 GHz	41.8 dBi @ 12.0 GHz
Antenna Noise Temperature		-	45°K el; 10°
Antenna Cross Polarization		30 dB in 1 dB Contour	
Side Envelope(Tx, Co-Pol dBi)	29-25 log θ dBi -3.5 dBi 32-25 log θ dBi -10dBi	1.5° < θ < 20° 20° < θ < 26.3° 26.3° < θ < 48° 48° < θ < 180.0°	- - - -
3 dB Beamwidth		1.2 @ 14.3 GHz	1.5 @ 12.0 GHz
VSWR		<1:3:1 Max	<1:5:1 Max
Feed Interface		WR-75	WR-75
Isolation (port to port)		90 dB	>40 dB

MECHANICAL SPECIFICATIONS

Antenna Geometry	Front Feed
Antenna Reflector Effective Aperture	120 cm
Ports	2 (optionally 3)
Elevation Range	0°-70°-70° (without housing), 10°-70° (with housing), (Up limit can be adjustable till 90°)
Azimuth Range	$\pm 180^\circ$
Polarization Range	$\pm 95^\circ$
Elevation Safety Stow Degree	Adjustable
Weight	80 kg
Reflector Material	Fiber Glass
Dimensions	Max 170x123x45 cm (with pod)

SPEED

	Minimum	Maksimum
Azimuth	0.22°/sec	2.29°/sec
Elevation	0.15°/sec	1.52°/sec
Polarization	0.65°/sec	13°/sec

ENVIRONMENTAL SPECIFICATION

	Operational	Survival
Wind Load	70km/h	160 km/h(stowed)
Ambient Temperature	-30°C to +60°C	-40°C to +70°C
Humidity	%0 - %100	%0 - %100

